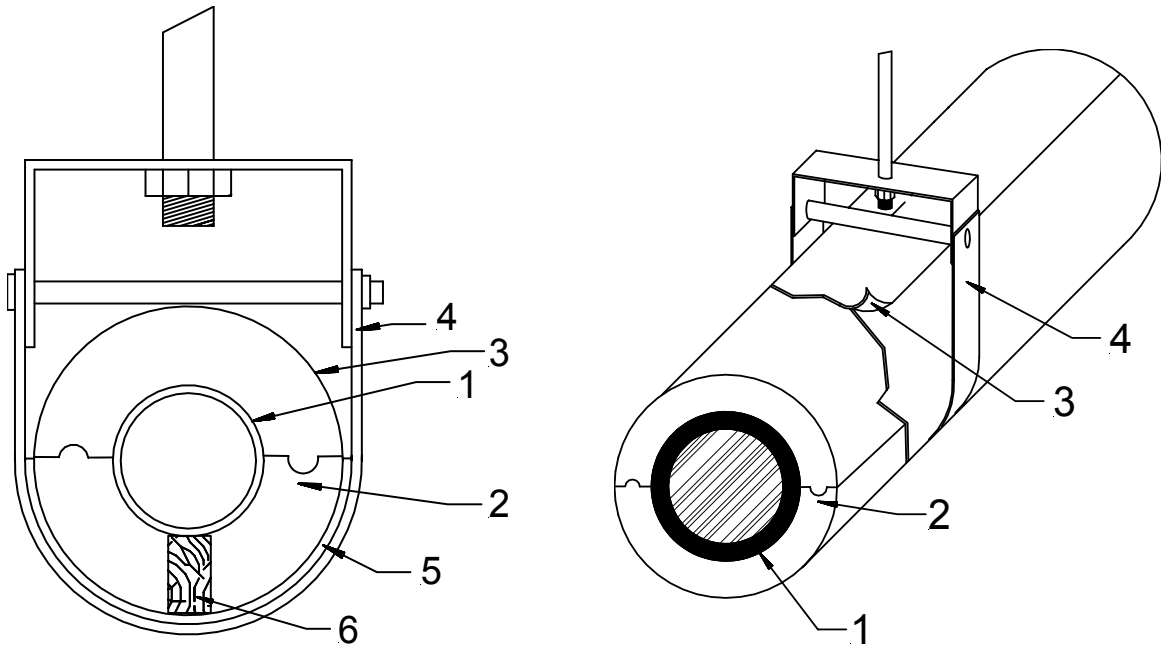


# CLEVIS HANGER

(Above ambient temperatures)



1. Pipe

2. TechLite® foam

3. Jacketing

4. Existing hanger

5. Steel pipe shield (180° x 12" long)

6. 6" long Oak support insert (single block up to 5" dia. pipe)